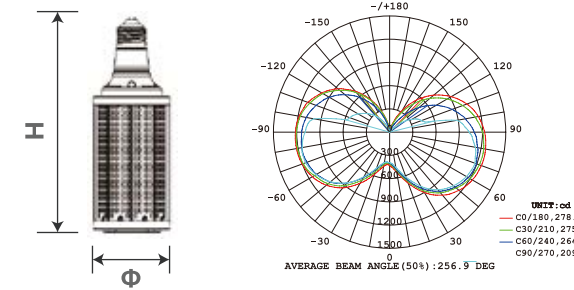


## WYX01 LED CORN LIGHT



**Item No.: WYX01-35/50/80**

**Power :** 35W / 50W / 80W

**Efficiency :** 160lm/w 150lm/w

**LED chips :** philips3030 / Epistar2835

**Size :** Φ70\*175mm Φ70\*195mm Φ70\*205mm

**Weight :** 0.403kg 0.45kg 0.55kg

**Timer dimmable :** Available



## WYX01

-WYX01 series LED Corn Light Series lamps use Rubycon driver intelligent temperature protection function, Philips chips, heat dissipation with aircraft grade aluminum, IP54 damp location-rated design, dust-proof, mosquito proof, driver is sealed with thermal paste, 360 degree beam angle, flame retardant materials, It can offer retrofit replacement for high watt HID lamp installations



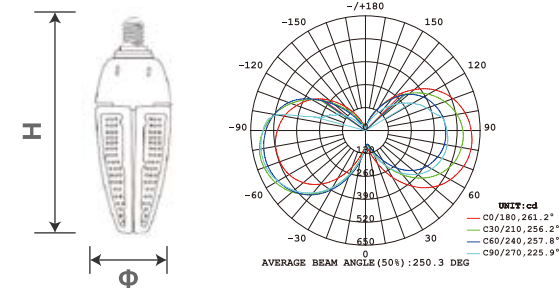


# CON5

AT-CON5 series LED Corn Light Series lamps use Rubycon driver, Epistar chips, IP65 damp location-rated design, waterproof, dust-proof, mosquito proof, driver is sealed with thermal paste, active heat dissipation with aircraft grade aluminum, 360 degree beam angle, flame retardant materials, suitable for use in totally enclosed fixtures. Direct wire lamps, must bypass the ballast.

## REPLACEMENT LED LIGHTS SERIES

### CON5 LED CORN LIGHT



**Item No.: CON5-30/40/50**

**Power :** 30W 40W 50W

**Efficiency :** 120~140lm/w

**Size :** Φ88\*258mm

**Lamp holder :** E26/E27 E39/E40





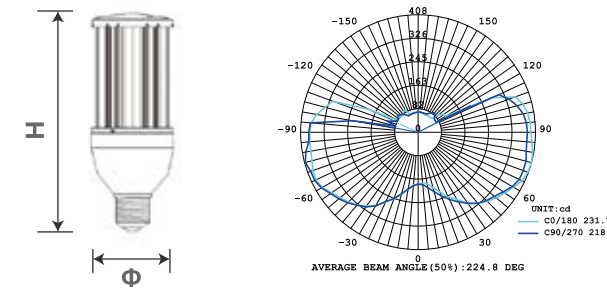


# CON4

CON4 series LED Corn Light Series lamps use Epistar chips, IP65 damp location-rated design, waterproof, dust-proof, mosquito proof, driver is sealed with thermal paste, active heat dissipation with aircraft grade aluminum, 360 degree beam angle, flame retardant materials, suitable for use in totally enclosed fixtures.- Direct wire lamps, must bypass the ballast.

## REPLACEMENT LED LIGHTS SERIES

### CON4 LED CORN LIGHT



**Item No.: CON4-12/16/20/24**

**Power :** 12W / 16W / 20W / 24W

**Efficiency :** 130lm/w

**Size :** Φ64\*157mm / Φ64\*167mm / Φ64\*187mm / Φ64\*207mm

**Lamp holder :** E26/E27 E39/E40





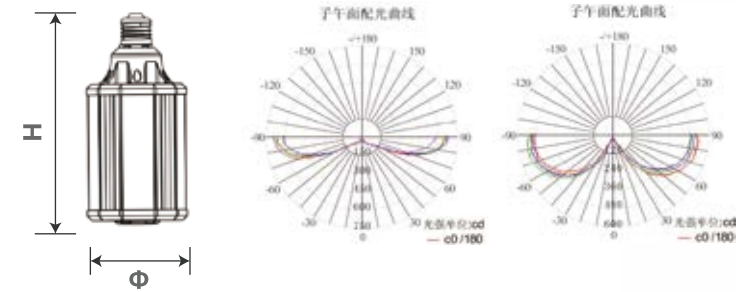


## CON8

Eliminate Light Pollution with the CON8 friendly LED HID Post Top Retrofit Lamp Series. This lamp is designed for post top applications in dark sky friendly cities and neighborhoods. All of the light is directed downwards, no light escapes into the night sky.

## REPLACEMENT LED LIGHTS SERIES

### CON8 LED CORN LIGHT



**Item No.: CON8-25/33**

**Power : 25W / 33W**

**Efficiency : 130lm/w**

**Size : Φ85\*180.5mm**

**Lamp holder : E26/E27**





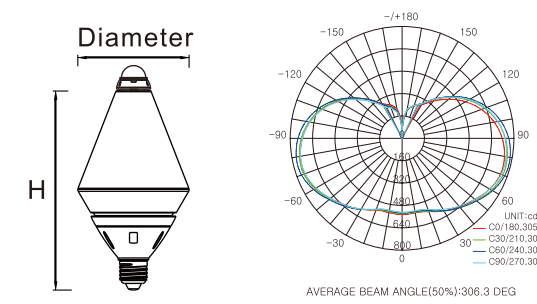


## CON7

Full new technology light source; ☑ Large beam angle, >330°; ☑ Flexible and curved light source technology; ☑ Nano ceramic phosphor improve light efficiency technology; ☑ Nano ceramic protection technology.

## REPLACEMENT LED LIGHTS SERIES

### CON7 LED CORN LIGHT



**Item No.: CON7-30/ 50 / 80 / 100 / 120**

**Power :** 30W / 50W / 80W / 100W / 120W

**Efficiency :** 140lm/w

**Size :**  $\Phi$ 105\*188mm /  $\Phi$ 105\*188mm /  $\Phi$ 132\*242mm  
 $\Phi$ 150\*298mm /  $\Phi$ 150\*298mm

**Lamp holder :** E26/E27 E39/E40



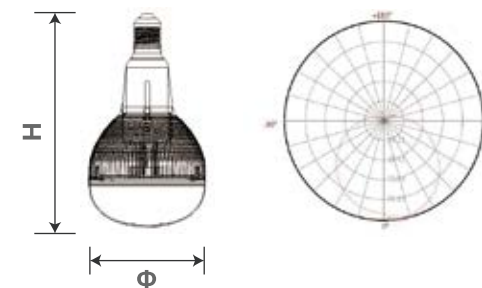


## BU3

Super brightness, good color rendering, low luminous decay.  
High power, high efficiency, low energy consumption. Shell: aluminum alloy materials.  
Light source: with low attenuation process encapsulation of the LED white light.  
Power supply: constant current; protection of over-current, over-voltage and high temperature.  
Perfect lighting effect, fast starting, low power consumption, no ultraviolet and infrared radiation.  
Suitable for warehouse, Shopping Mall, Corridor, Office, Building, Super Market, Meeting Room  
Hotel, Restaurant, Exhibition, Living room, Multi-funton Hall, Commercial Theater etc

## REPLACEMENT LED LIGHTS SERIES

### BU3 LED BULB LIGHT



**Item No.:** BU3-60/80/100/120/150

**Power :** 60W / 80W / 100W / 120W / 150W

**Lumen :** 7200lm 9600lm 12000lm 14000lm 18000lm

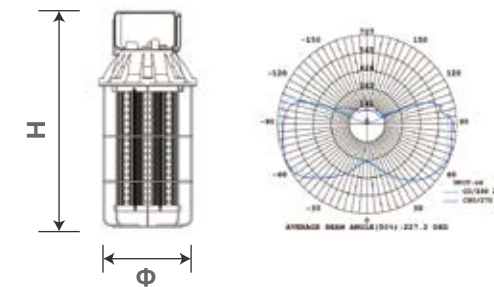
**Heatsink :** Fin Fanless

**Size :**  $\Phi$ 172\*259mm  $\Phi$ 200\*283mm  $\Phi$ 246\*283mm  $\Phi$ 248\*327mm  $\Phi$ 248\*342mm

**Lamp holder :** E40/E39



## TWL-50W LED TEMPORARY WORK LIGHT



**Item No.: TWL-50W**

Power : 50W  
Efficiency : 110lm/w  
LED chips : Epistar 2835  
Size :  $\Phi 127 \times 277$ mm  
Wire length : 2m



**TWL**

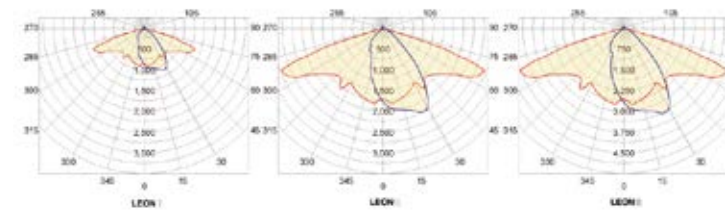
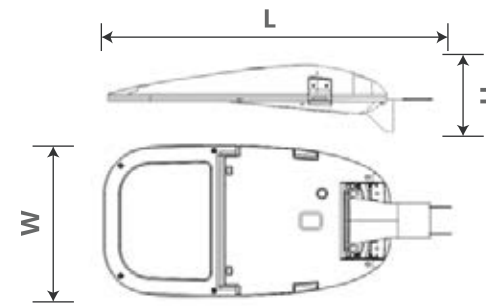
- 360° Omni-directional lighting.
- 4-6KV internal surge protection.
- Come with 6.5foot 18AWG cord and 120V plug.
- switch to change CCT 3000K 4500k 6000K Dimmable : 0 to 100%
- Heavy duty and durable construction, steel stainless lamp cage.
- Isolated driver to ensure stable working situation.
- Waterproof rubber design for better waterproof performance.
- Operating temperature: -40°C/ - 40°F to 60°C/140°F. □
- Portable hook, easy to carry and quick install.

## SAL

SAL series of lamps with simple modern design, user-friendly installation and maintenance structure, modular product portfolio planning, professional and reasonable optical design for urban trunk road, expressway, secondary roads, urban /rural roads and other roads needs. Using simple modern shape design, streamlined surface anti-dust self-cleaning; Personalized glass silk screen printing, to provide customers with a variety of different options; Lamp shell surface by electrostatic powder coating, corrosion resistance, anti-aging; color and elegant, three colors optional.



## SAL LED STREET LIGHT



**Item No.:** SAL-30/50/70/80/100/120

**Power :** 30W / 50W / 70W / 80W / 100W / 120W

**Efficiency :** 115lm/w

**Size :** 590\*345\*80mm 650\*381\*90mm

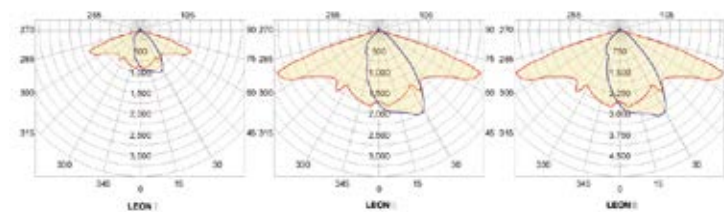
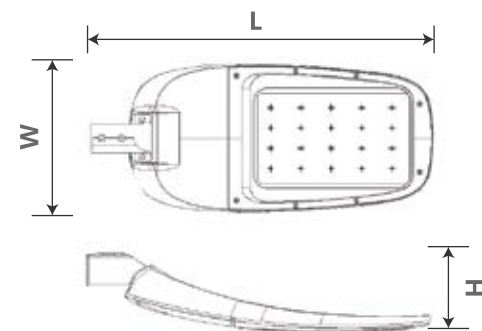
**Lens :** TypeII~TypeV

**Dimming :** Light sensor Timer APP





STL LED STREET LIGHT



STL

STL series of lamps with simple modern design, user-friendly installation and maintenance structure, modular product portfolio planning, professional and reasonable optical design for urban trunk road, expressway, secondary roads, urban /rural roads and other roads needs. Using simple modern shape design, streamlined surface anti-dust self-cleaning; Personalized glass silk screen printing, to provide customers with a variety of different options; Lamp shell surface by electrostatic powder coating, corrosion resistance, anti-aging; color and elegant, three colors optional.

**Item No.:** STL-30/50/80/120/150/180/240

**Power :** 30W / 50W / 80W / 120W / 150W / 180W / 240W

**Efficiency :** 115lm/w

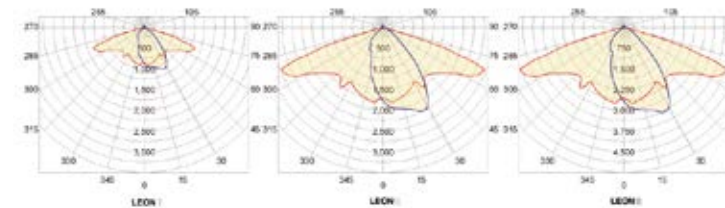
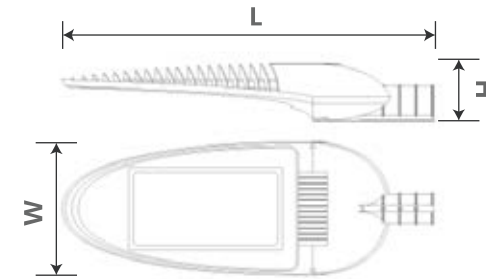
**Size :** 560\*240\*255mm 690\*300\*150mm 750\*355\*186mm 915\*415\*185mm

**Lens :** TypeII~TypeV

**Dimming :** Light sensor Timer APP



SPC LED STREET LIGHT



Item No.: SPC-30 50/80/100 120 150 180

Power : 30W / 50W / 80W / 120W / 150W / 240W

Efficiency : 115lm/w

Size : 475\*238\*103mm 646\*303\*129mm 864\*375\*172mm

Lens : TypeII~TypeV

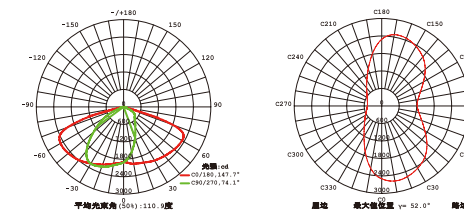
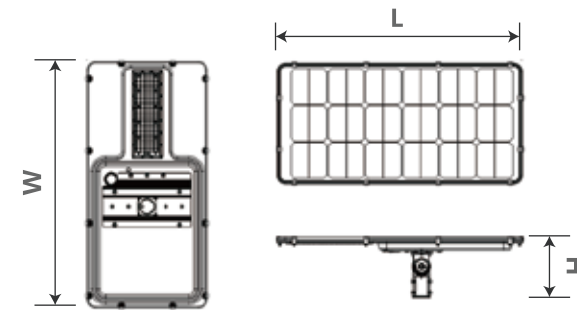
Dimming : Light sensor Timer APP

SPC

-Spc series LED Street light has features of simple and fashion design, it is built under modern design concept which is reliable and energy-saving. With modern design and high efficiency LED driver technology JRA2 provides excellent solutions for roadway illumination. JRA2 LED Street light not only meet large project's lighting requirement but also meet the concept of city sustainable development. Excellent heat radiation, optical and electrical ability. Die-cast Aluminum body with powder-coating and anti-corrosion surface treatment. Diffuser wish 4.00mm super white toughened glass. Humanized design concept, easy to install and maintain.



SL LED SOLAR STREET  
LIGHT



SL

- Cooling fins with large radiate area, excellent heat dissipation performance.
- SL Series Solar Led Street Light;
- Remote Monitoring,Remote Control;
- High Efficiency Intelligent Control System;
- High Efficiency Light Source;
- Monocrystalline Silicon Solar Panel.

Item No.: SL-1A/2A/3A/4A

Power : 17.5W / 30W / 75W / 75W

Lumen : 1273lm 2445lm 5210lm 6947lm

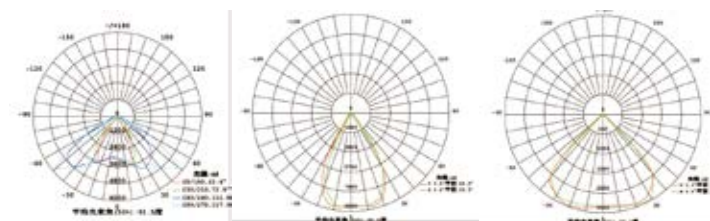
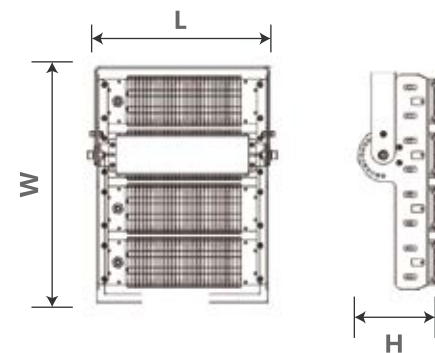
Size : 538\*283\*50mm 677\*526\*50mm 1063\*526\*259mm 1063\*526\*259mm

Lens : 150°x70°

Dimming : Light sensor Timer APP



TUN2 LED TUNNEL LIGHT



Tun2

- Modular design, it is convenient for maintenance and assembly;
- High corrosion resistance and high thermal conductivity, outstanding performance;
- The lens for 90°\*100°, 60° and 90° option, it is suitable for multiple applications;
- High light transmittance lens material, flame retardant and anti-UV, provide excellent light distribution;
- The bracket with adjustable installation angle, multiple holes for installation optional;
- Widely used in highway tunnel lighting, municipal engineering lighting, urban landscape lighting, architectural lighting, outdoor advertising lighting and other lighting needs.

Item No.: Tun2-50W/100W/150W/200W/300W/400W

Power : 50W / 100W / 150W / 200W / 300W / 400W

Efficiency : 120lm/w

Size : 315\*90\*130mm 315\*180\*130mm 315\*270\*130mm 315\*360\*130mm  
599\*270\*130mm 599\*360\*130mm

IP : IP65 waterproof

Lens : 30/60/90、typeII

# INDUSTRIAL LIGHTING SERIES

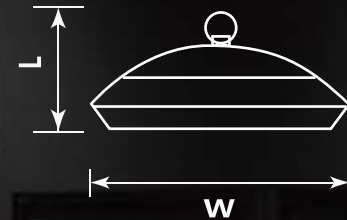
UFO high bay light breaks the idea of traditional design, It owns a fashionable and modern appearance. With features of high light efficiency, strong heat radiation, and aluminum alloy material, this makes the more luminaire light. Combining with high quality LED light source and long life driver, an ideal product for food factory, mining, workshop, station, and warehouse is formed, IP65 waterproof, full lamp Efficiency :150lm/W

## Item No.: UFO-100W/150W/200W

Power : 100W / 150W / 200W  
 Efficiency : 160lm/w  
 LED chips : Philips 3030  
 Size :  $\Phi 303 \times 82\text{mm}$   $\Phi 353 \times 111\text{mm}$   $\Phi 388 \times 201\text{mm}$   
 Lens : 60/90



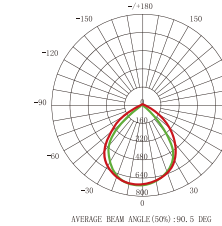
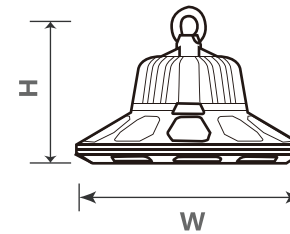
AT-UFO  
LED highbay light



-UFOC Series high bay light, classic design, IP65 waterproof, full lamp Efficiency :150lm/W

## Item No.: UFO1-100W/160W/240W

Power : 100W / 160W / 240W  
 Efficiency : 135lm/w  
 LED chips : Philips 3030  
 Size :  $\Phi 260 \times 140\text{mm}$   $\Phi 320 \times 150\text{mm}$   $\Phi 400 \times 150\text{mm}$   
 Lens : 60/90

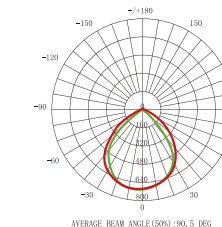
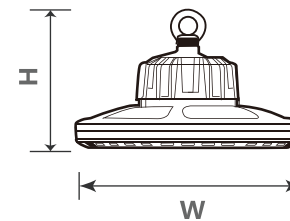


UFO1  
highbay light

-UFOC Series high bay light, cost-effective, IP65 waterproof, full lamp Efficiency :150lm/W

## Item No.: UFO2-100W/160W/200W

Power : 100W / 160W / 240W  
 Efficiency : 110lm/w  
 LED chips : Philips 3030  
 Size :  $\Phi 278 \times 170\text{mm}$   $\Phi 328 \times 178\text{mm}$   $\Phi 388 \times 201\text{mm}$   
 Lens : 60/90/120



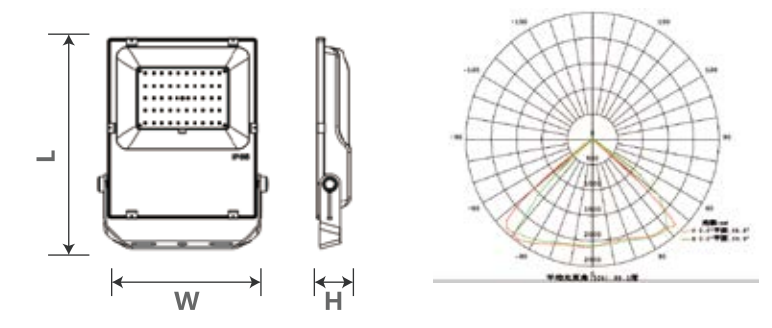
UFO2  
highbay light





# INDUSTRIAL LIGHTING SERIES

## FL3S LED FLOOD LIGHT



### FL3S

FL3S floodlight series ☒ Ultra-thin design, with fashion and elegant appearance;  
 - 90° high transparency lens, anti-UV, with excellent lighting uniformity;  
 - Built-in respirator internally, improve the protection grade and reliability, prevent the condensation;  
 - IP66 protection grade, adapt to the harsh outdoor environment.

**Item No.:** FL3S-50/100/150/200  
**Power :** 50W / 100W / 150W / 200W  
**Efficiency :** 120lm/w  
**LED chips :** Philips 3030  
**Size :** 310\*290\*50mm 403\*295\*60mm 431\*330\*60mm  
 471\*360\*60mm  
**IP :** IP65 waterproof

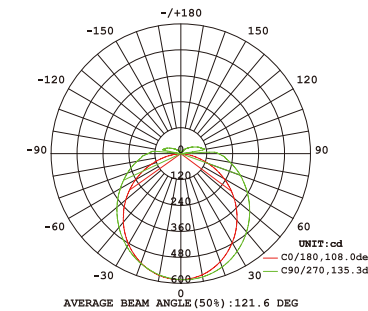




**TF3**

-TF3 Triproof light series Latest design, private model products  
Waterproof, dustproof and corrosion resistant.  
The lamp is generally used in industrial lighting demand places with strong corrosiveness,  
dust and rain, such as ships, stadiums, parking lots, basements, etc.

**TF3 LED  
TRIPROOF LIGHT**



**Item No.: TF3-20L6 30L9 40L12 50L15**

**Power :** 20W / 30W / 40W / 50W

**Efficiency :** 120lm/w

**LED chips :** Epistar 2835

**Size :** L600\*W88.5\*H69mm L900\*W88.5\*H69mm

L1200\*W88.5\*H69mm L1500\*W88.5\*H69mm

**IP :** IP65 waterproof

0~10V Dimming Timer Dimming microwave sensor





- Perfect Colour Rendering Index, CRI>90Ra;
- Integrated aluminum heat sink, outstanding heat dissipation;
- Professional lighting distribution with multiple beam angle for different demands;
- Equip lampshade, effective control the light spill of sports lighting;
- IP66 and Anti-17-level wind power;
- Lightweight, the sports lighting is easy to install;
- 50,000 hours lifespan.

## PJ5 LED PROJECTOR LIGHT

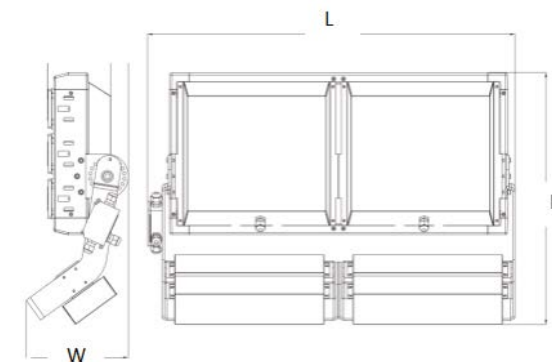
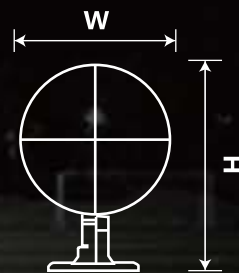
**Item No.:** PJ5-400/600/800/1200

**Power :** 400W / 600W / 800W / 1200W

**Efficiency :** 100lm/w

**Size :** 632\*460\*270mm 792\*620\*270mm

**Lens :** 10°、25°、60°



## PJ4 LED PROJECTOR LIGHT

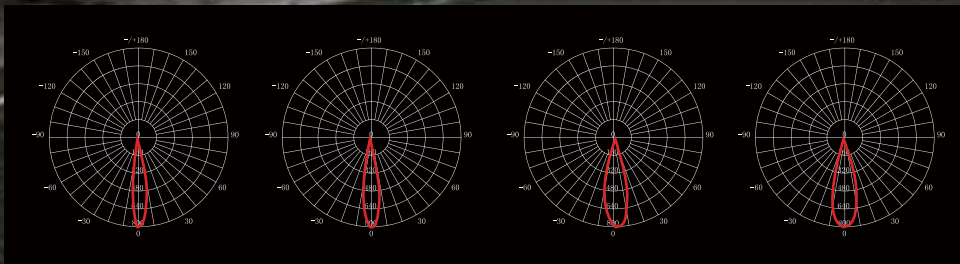
**Item No.:** PJ5-300/400/500/600/800/1000

**Power :** 300W / 400W / 500W / 600W / 800W / 1000W

**Efficiency :** 120lm/w

**Size :** 418\*516\*209mm 418\*608\*209mm 418\*700\*209mm  
754\*516\*209mm 754\*608\*209mm 754\*700\*209mm

**Lens :** 25°、45°、60°



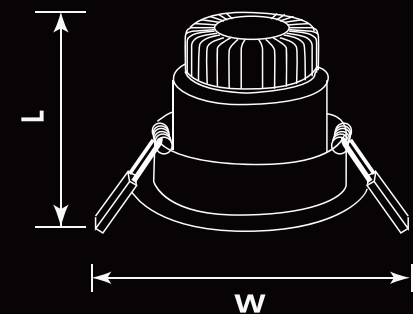
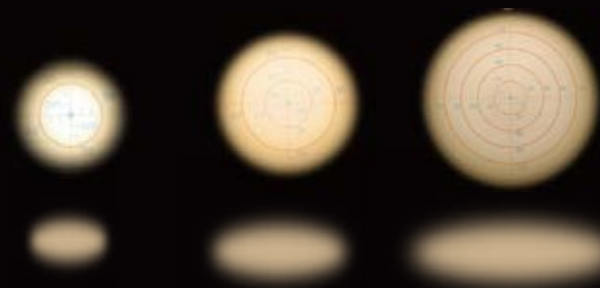


## 101 LED SPOT LIGHT

-101 series ceiling light, retractable design, anti-glare, mainly used in hotels, high-end restaurants, museums, etc.

**Item No.: 101-5W/7W**

Power : 5W / 7W  
 LED chips : CITIZEN cob  
 Dimming : Dali / Triac  
 Size :  $\Phi 89 \times 62 \text{mm}$   $\Phi 89 \times 62 \text{mm}$



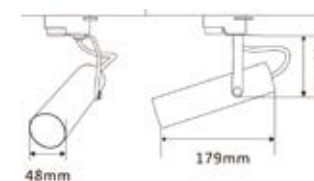
## COMMERCIAL LIGHTING SERIES



## 301 LED TRACK LIGHT

**Item No.: 301-7W/10W**

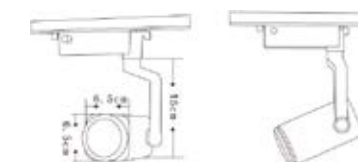
Power : 7W / 10W  
 Efficiency : 135lm/w  
 LED chips : CITIZEN cob  
 Size :  $\Phi 48 \times 179 \text{mm}$   
 Beam angle : 10~45 degree Focusable  
 360 degree rotation



## 302 LED TRACK LIGHT

**Item No.: 302-10W/15W/24W**

Power : 10W / 15W / 24W  
 Efficiency : 110lm/w  
 LED chips : CITIZEN cob  
 Size :  $\Phi 65 \times 150 \text{mm}$   
 Beam angle : 10~45 degree Focusable  
 360 degree rotation





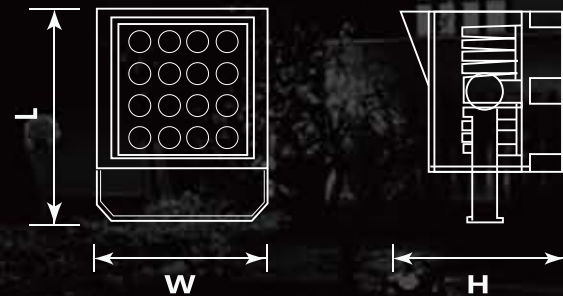
## LIGHTING FOR LANDSCAPE BUILDINGS

- Die-casting aluminium cooling fins, with excellent heat dissipation performance and extend its life-span;
- IP66 of protection grade, Surface spray painting and anti-corrosion, adapt to the harsh outdoor environment;
- Using ultra-white tempered glass panel, with high lighting efficiency and excellent impact resistance, sturdy and durable;
- Imported chips with high luminous efficiency and long lifespan, W/R/G/B/A, RGBW available;
- 8°, 12°, 24°, 30°, 45°, 60° lens are available, could meet the demands of different lighting distribution;
- Supporting control system of DMX512/RDM to achieve intelligent dimming and color change function.

### P D-LED PRO ECTOR

Item No.: PJD--5W/9W/16W/24W

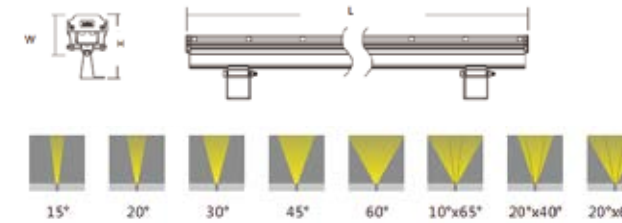
Power : 5W / 9W /16W /24W  
 Input : DC12-24V AC90-265V  
 Size : 96\*96\*220mm 135\*135\*230mm 170\*170\*260mm  
 Lens : 15°, 20°, 30°, 45°, 60°, 10°x65°, 20°x40°, 20°x65°  
 Color : 2000K-6500K RGB



### WL1 LED WALL WASH LIGHT

Item No.: WL1--30L 12W/50L 24W/100L 48W

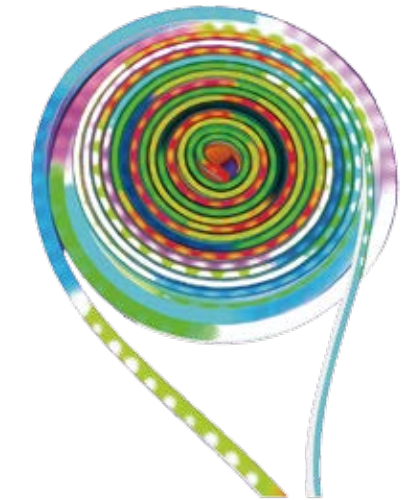
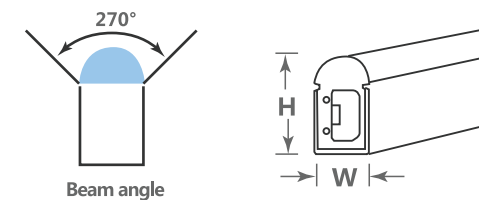
Power : 4W~12W / 9W~24W /18W~48W  
 Input : DC12-24V  
 Size : 96\*96\*220mm 135\*135\*230mm 135\*135\*230mm  
 Lens : 15°, 20°, 30°, 45°, 60°, 10°x65°, 20°x40°, 20°x65°  
 Color : 2000K-6500K RGB



### NL2 LED NEON STRIP LIGHT

Item No.: NL2-RGB/RGB+IC

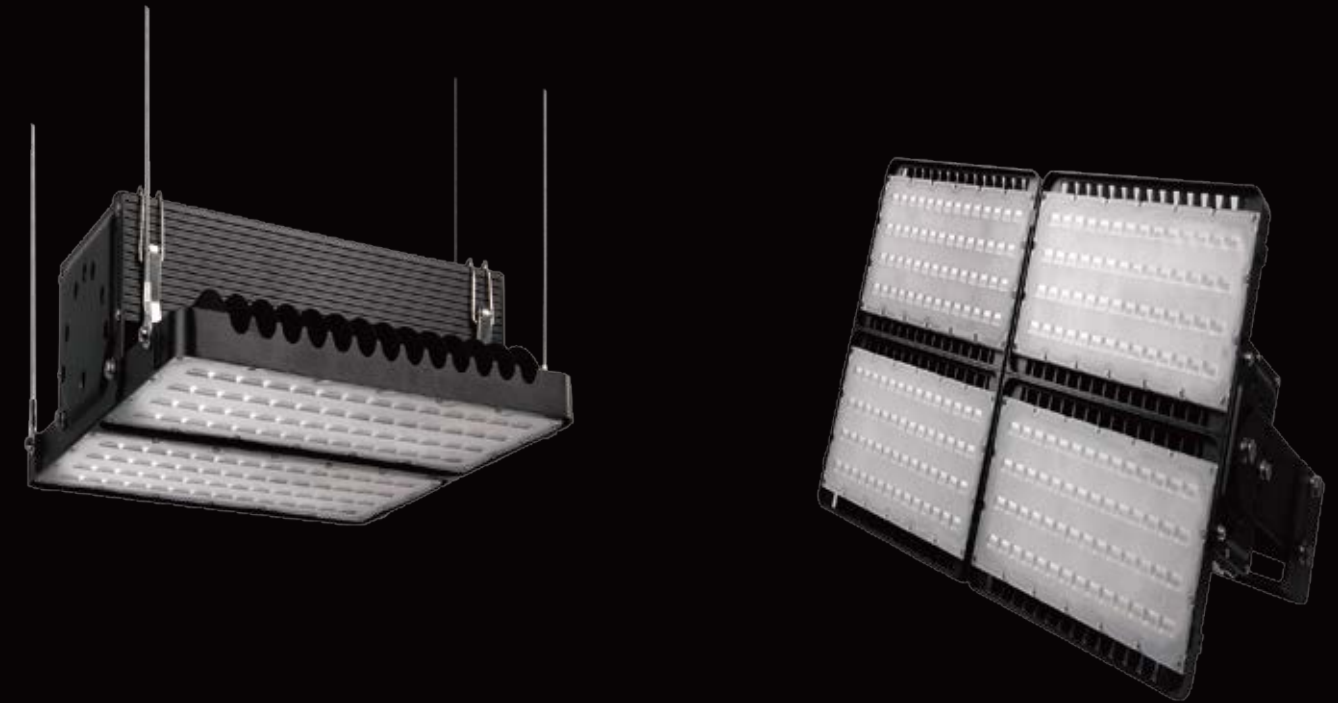
Power : 12.5W/ 12.5W  
 Input : DC12-24V  
 DMX512 Addressable  
 Size : 1000\*24\*16mm  
 Color : W/WW RGB



# LED GROW LIGHT

## Features

GLH series is Newest Version LED Grow Light, using efficient full spectrum 380-780nm best for indoor /outdoor plants veg and flower at all growth stages.  
It is High Lumens, High yields, Low heat.  
Scientifically engineered to keep the balance with high Lumen and suitable Coverage.  
This design will not far too concentrated in the middle of the growing area which results in stunted plant growth and sunburning.



## GLH-LED GROW LIGHT

Item No.: GLH--400W/800W/1200W/1600W

Power : 400W / 800W /1200W /1600W  
Led Chips : OSRON color OSRAM ( 3030 )  
Photosynthetic efficacy : 2.6~3.0  $\mu\text{mol}/\text{J}$   
Size : 402\*416\*110mm 402\*826\*110mm 402\*1231\*110mm 812\*826\*110mm